

APPLICATION

- ❑ Direct connection to HYDROMETER water meters with pulse output contact for remote display of the volume of water flowing when the power supply fails.

OPERATION

- ❑ Summation of the pulses transmitted by the pulse output contact of the water meter

FEATURES

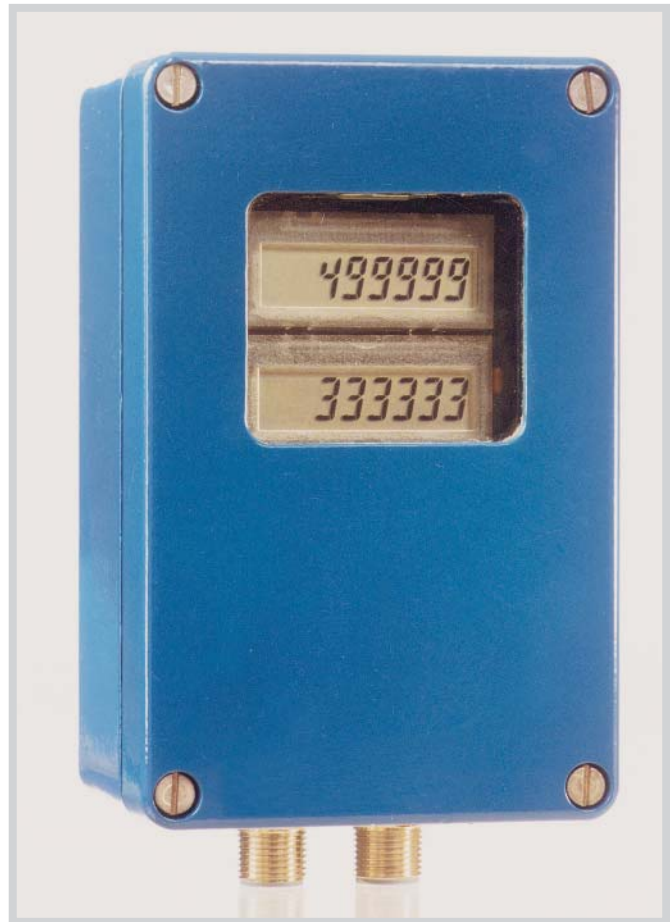
- ❑ Electronic pulse counter for wall mounting, with built-in lithium battery, with or without zero reset

TECHNICAL DATA

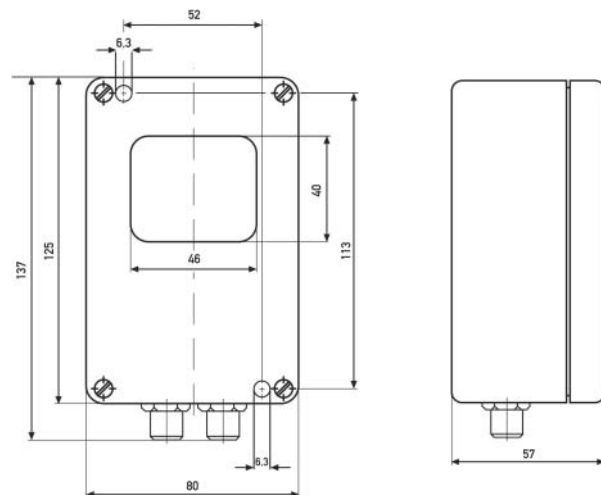
Counting frequency	Max. 5 Hz
Counting capacity / Digit height	8-digit LCD / 7 mm
Zero reset	No reset – or manual reset by placing a magnet directly above or below the LC display
Operating voltage	3 V lithium battery
Lifetime with battery operation	Approx. 5 years
Housing	Die-cast aluminium
Dimensions	L x W x D 125 x 80 x 57 mm
Protection class	IP 67
Weight	Approx. 500 g
Ambient temperature	-10 °C to +50 °C
Installation	Wall mounting

ORDER REFERENCES

Counter	Article number
Electronic pulse counter with one LC display	512 000 05
Electronic pulse counter with two LC displays (e.g. for compound meter)	512 000 06
Accessories:	
Plug-in connector	610 227



DIMENSIONS



APPLICATION

- Direct connection to HYDROMETER water meters with pulse output contact for remote display of the volume of water flowing when the power supply fails and for monitoring operations (metering, dosing), especially at high pulse resolution.

OPERATION

- Summation of the pulses transmitted by the pulse output contact of the water meter.

FEATURES

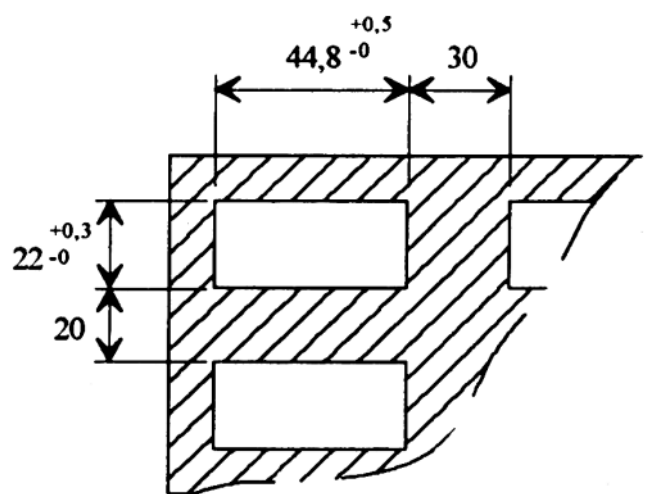
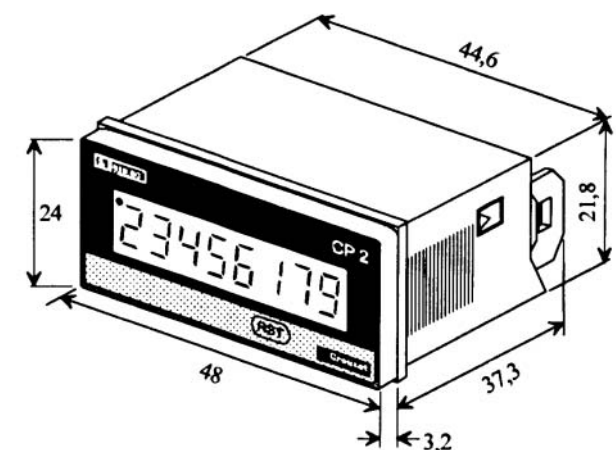
- Electronic pulse counter for control panel mounting, with built-in lithium battery, no external voltage supply, with zero reset.



TECHNICAL DATA

Counting frequency	Max. 40 Hz
Counting input	Floating contact; terminals 3-4
Counting capacity / Digit height	8-digit / 7 mm
Resetting to zero	Either manual reset via pushbutton on the front panel or external reset; terminals 1-4
Lifetime with battery operation	8 years
Dimensions	Housing IP 55, L x W x D 24 x 48 x 37.3 mm
Ambient temperature	0 °C to 55 °C
Pin assignment	
1 = zero reset input; 2 = zero reset common;	
3 = slow counting input; 4 = counting input common;	
5 = fast counting input	

DIMENSIONS



Front panel cut-out

ORDER REFERENCES

Electronic pulse counter	Art. no. 512 000 12
--------------------------	---------------------

Other versions on request.

Minor technical changes may occur in the course of further development.